

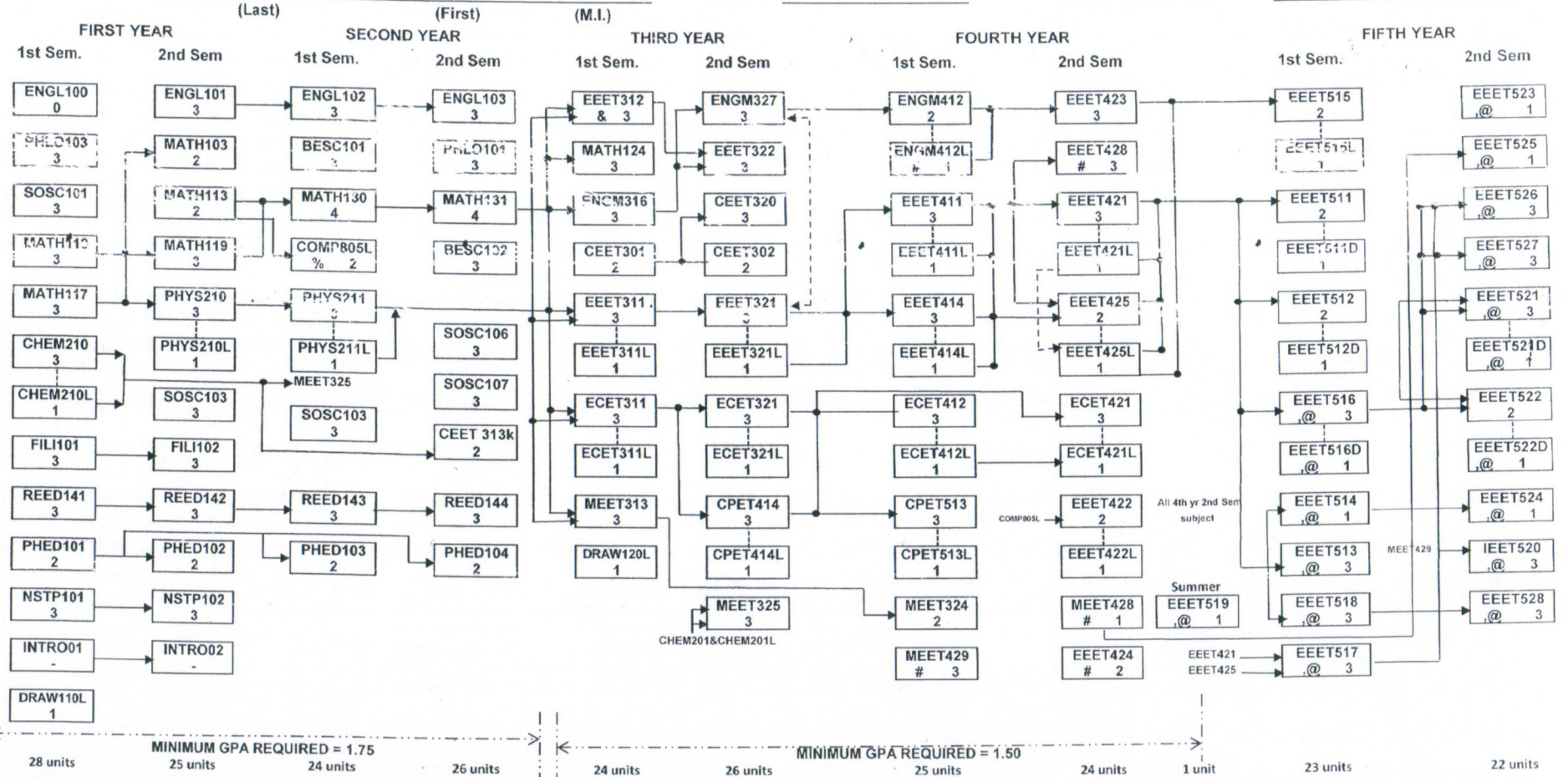
**COLLEGE OF ENGINEERING AND TECHNOLOGY
DE LA SALLE UNIVERSITY - DASMARIÑAS**

Dasmariñas, Cavite

PRINT NAME: _____

ID NO. _____

SCHOOL YEAR OF ENTRY _____



BACHELOR OF SCIENCE IN ELECTRICAL ENGINEERING	
TOTAL UNITS	247
SY 2015-2016	
Legend:	—> Strict Pre-requisite - - -> Co-requisite % 2ND YEAR LEVEL & 3RD YEAR STANDING # 4TH YEAR STANDING @ REGULAR 4TH YEAR

ENGR. JOSE RIZALDY A. DE ARMAS
Dean, College of Engineering, Architecture & Technology

Prepared: The EE Curriculum Committee